

# CESAB R100 1.2 - 1.6 tonne

Reach Trucks



Truck Specifications



## CESAB R112 - R116 Truck Specifications

CHARACTERISTICS					
1.1	Manufacturer		CESAB	CESAB	CESAB
1.2	Model		R112	R114	R116
1.3	Drive		Electric	Electric	Electric
1.4	Operator type		Seated	Seated	Seated
1.5	Load capacity/rated load	Q [kg]	1200	1400	1600
1.6	Load centre	c [mm]	600	600	600
1.8	Load distance, centre of support arm wheel to face of forks	x [mm]	415	415	343
1.9	Wheelbase	y [mm]	1440	1440	1440
WEIGHT					
2.1	Service weight including battery	[kg]	2446	2753	2951
2.3	Axle load, mast retracted without load, drive/support arm wheel	[kg]	1531/915	1700/1053	1804/1147
2.4	Axle load, mast extended with load, drive/support arm wheel	[kg]	444/3205	502/3657	492/4068
2.5	Axle load, mast retracted with load, drive/support arm wheel	[kg]	1388/2261	1440/2718	1489/3070
WHEELS					
3.1	Drive/support arm wheel			Vulkollan	
3.2	Wheel size, front	[mm]	Ø 330	Ø 330	Ø 330
3.3	Wheel size, rear	[mm]	Ø 280	Ø 280	Ø 280
3.5	Wheels, number front/rear (x=driven wheels)		1x/2	1x/2	1x/2
3.7	Track width, rear	b <sub>11</sub> [mm]	1134	1134	1134
DIMENSIONS					
4.1	Tilt of fork, forward/backward	α/β [deg]	4°/-2°	4°/-2°	4°/-2°
4.2	Height, mast lowered	h <sub>1</sub> [mm]	2182*	2182*	2182*
4.3	Free lift	h <sub>2</sub> [mm]	1550*	1550*	1550*
4.4	Lift	h <sub>3</sub> [mm]	4760*	4760*	4760*
	Lift height	h <sub>23</sub> [mm]	4800*	4800*	4800*
4.5	Height, mast extended	h <sub>4</sub> [mm]	5432*	5432*	5432*
4.7	Height of overhead guard (cab)	h <sub>6</sub> [mm]	2153	2153	2153
4.8	Seat height	h <sub>7</sub> [mm]	1075	1075	1075
4.10	Height of support arms	h <sub>8</sub> [mm]	245	245	245
4.15	Height of lowered forks	h <sub>13</sub> [mm]	55	55	55
4.19	Overall length	l <sub>1</sub> [mm]	2364	2364	2436
4.20	Length to face of forks	l <sub>2</sub> [mm]	1214	1214	1286
4.21	Overall width	b <sub>1</sub> [mm]	1270	1270	1270
4.22	Fork dimensions	s/e/l [mm]	40/100/1150*	40/100/1150*	40/100/1150*
4.23	Fork carriage ISO 2328, class/type A, B		II A	II A	II A
4.24	Fork-carriage width	b <sub>3</sub> [mm]	850	850	850
4.25	Width over forks	b <sub>5</sub> [mm]	250-738	250-738	250-738
4.26	Distance between support arms	b <sub>4</sub> [mm]	900	900	900
4.28	Reach distance	l <sub>4</sub> [mm]	613	613	541
4.31	Ground clearance, with load, below mast	m <sub>1</sub> [mm]	70	70	70
4.32	Ground clearance, centre of wheelbase <sup>1)</sup>	m <sub>2</sub> [mm]	70	70	70
4.33	Aisle width for pallets 1000 x 1200 crossways	A <sub>cr</sub> [mm]	2706	2706	2758
4.34	Aisle width for pallets 800 x 1200 lengthways	A <sub>sl</sub> [mm]	2749	2749	2814
4.35	Turning radius	W <sub>a</sub> [mm]	1668	1668	1668
4.37	Length across support arms	l <sub>7</sub> [mm]	1828	1828	1828
PERFORMANCE DATA					
5.1	Travel speed, with/without load	[km/h]	10.0/10.0	10.0/10.0	10.0/10.0
5.2	Lift speed, with/without load	[m/s]	0.31/0.43	0.30/0.43	0.28/0.43
5.3	Lowering speed, with/without load	[m/s]	0.49/0.52	0.51/0.52	0.52/0.52
5.4	Reach speed, with/without load	[m/s]	0.20/0.20	0.20/0.20	0.20/0.20
5.8	Max. gradeability, with/without load <sup>1)</sup>	[%]	15/18	12/20	11/18
5.10	Service brake		Electric	Electric	Electric
ELECTRIC MOTOR					
6.1	Drive motor rating S2 60 min	[kW]	5	5	5
6.2	Lift motor rating S3 15%	[kW]	10	10	10
6.4	Battery voltage, nominal capacity K5	[V/Ah]	48/310*	48/465*	48/620*
6.5	Battery weight	[kg]	552	719	903
6.6	Energy consumption acc to VDI cycle	[kWh/h]	2.99	3.29	3.71
OTHER					
8.1	Type of drive control		Variable AC	Variable AC	Variable AC
8.4	Sound level at the driver's ear according to EN 12 053	[dB(A)]	70	68	68

1) Measured according to company standard

\*) Further alternatives are available and will produce other values

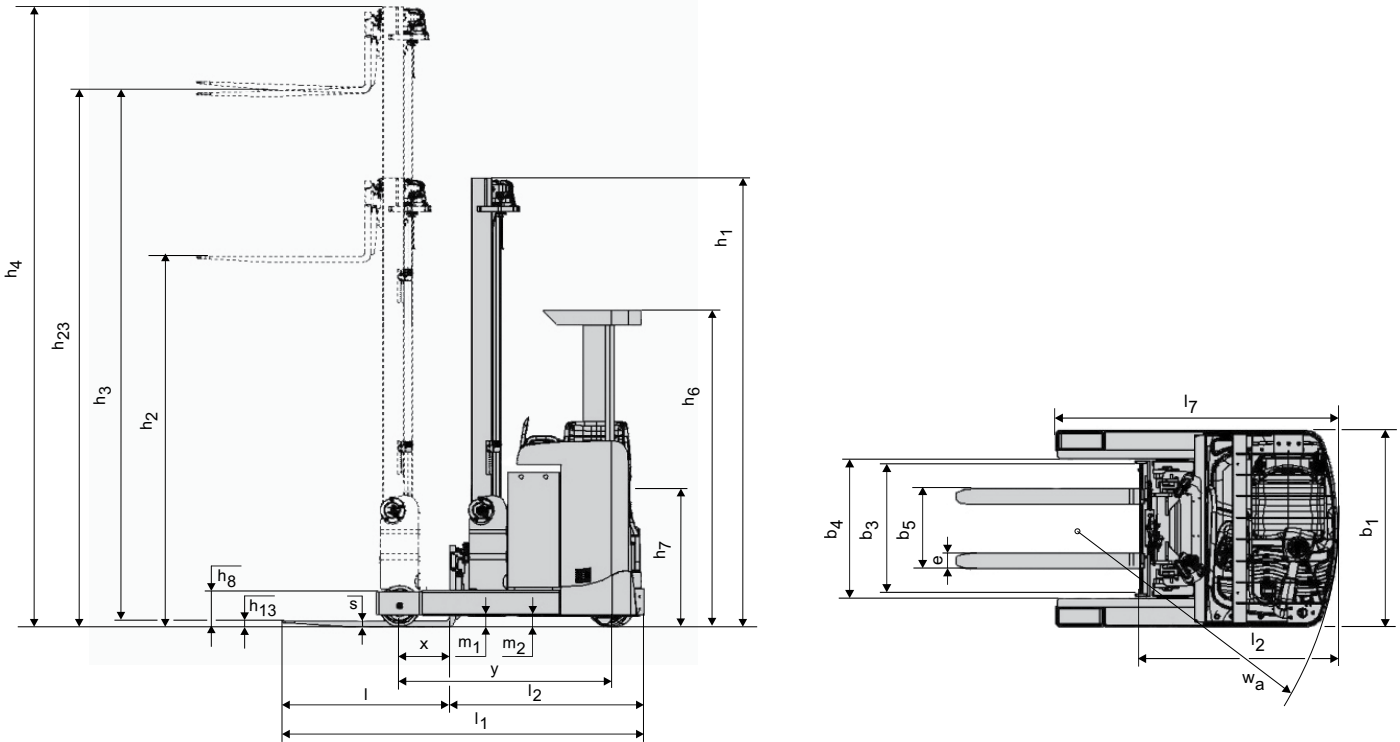
All data are based on table configuration. Other configurations may give other values.

Truck performance and dimensions are nominal and subject to tolerances.

CESAB products and specifications are subject to change without notice.



## CESAB R112 - R116 Dimensional Drawings



## Battery compartments

DIMENSIONS		R112	R114	R116
Battery compartment depth	[mm]	275	275	275
1.8	Load distance, centre of support arm wheel to face of forks without side shift	x [mm]	453	453
	Load distance, centre of support arm wheel to face of forks with side shift	x [mm]	415	415
	Load distance, centre of support arm wheel to face of forks with rollerbed, incl side shift	x [mm]	404	404
4.20	Length to face of forks without side shift	$l_2$ [mm]	1214	1214
	Length to face of forks with side shift	$l_2$ [mm]	1252	1252
	Length to face of forks with rollerbed, incl side shift	$l_2$ [mm]	1263	1263
4.33	Aisle width for pallets 1000x1200 crossways without side shift	$A_{st}$ [mm]	2680	2680
	Aisle width for pallets 1000x1200 crossways with side shift	$A_{st}$ [mm]	2706	2706
	Aisle width for pallets 1000x1200 crossways with rollerbed, incl side shift	$A_{st}$ [mm]	2714	2714
4.34	Aisle width for pallets 800x1200 lengthways without side shift	$A_{st}$ [mm]	2715	2715
	Aisle width for pallets 800x1200 lengthways with side shift	$A_{st}$ [mm]	2749	2749
	Aisle width for pallets 800x1200 lengthways with rollerbed, incl side shift	$A_{st}$ [mm]	2759	2759
4.35	Turning radius	$W_a$ [mm]	1668	1668
6.4	Battery voltage, nominal capacity K5	[V/Ah]	48/310	48/465
6.5	Battery weight, min.—max.	[kg]	485-590	660-785

## Mast Specifications

DIMENSIONS		Duplex Tele					Triplex Freelift									
Lift height	$h_{23}$ [mm]	3000	3500	4000	4500	5000	4400	4800	5400	5700	6300	6750	7000	7500	8000	8500
Lift	$h_3$ [mm]	2960	3460	3960	4460	4960	4360	4760	5360	5660	6260	6710	6960	7460	7960	8460
R112	Height, mast lowered	$h_1$ [mm]	2050	2300	2550	2800	3050	2049	2182	2382	2482	2682	2932	3015	—	—
	Free lift	$h_2$ [mm]	—	—	—	—	—	1416	1550	1750	1850	2050	2300	2384	—	—
R114	Height, mast extended	$h_4$ [mm]	3550	4050	4550	5050	5550	5033	5432	6032	6332	6932	7382	7631	—	—
	Height, mast lowered	$h_1$ [mm]	2050	2300	2550	2800	3050	2049	2182	2382	2482	2682	2932	3015	3223	3390
R116	Free lift	$h_2$ [mm]	—	—	—	—	—	1416	1550	1750	1850	2050	2300	2384	2590	2756
	Height, mast extended	$h_4$ [mm]	3550	4050	4550	5050	5550	5033	5432	6032	6332	6932	7382	7631	8133	8634

The data in this specification sheet was determined based on our standard testing conditions. Operating performance may vary depending on the actual specification and condition of the truck as well as the condition of the operating area. Availability and specifications are determined regionally and are subject to change without notice. Please consult your authorised CESAB dealership for further details. SPEC\_R100\_EN\_2019 / P&B R100 V12 – Copyright CESAB Material Handling Europe.

